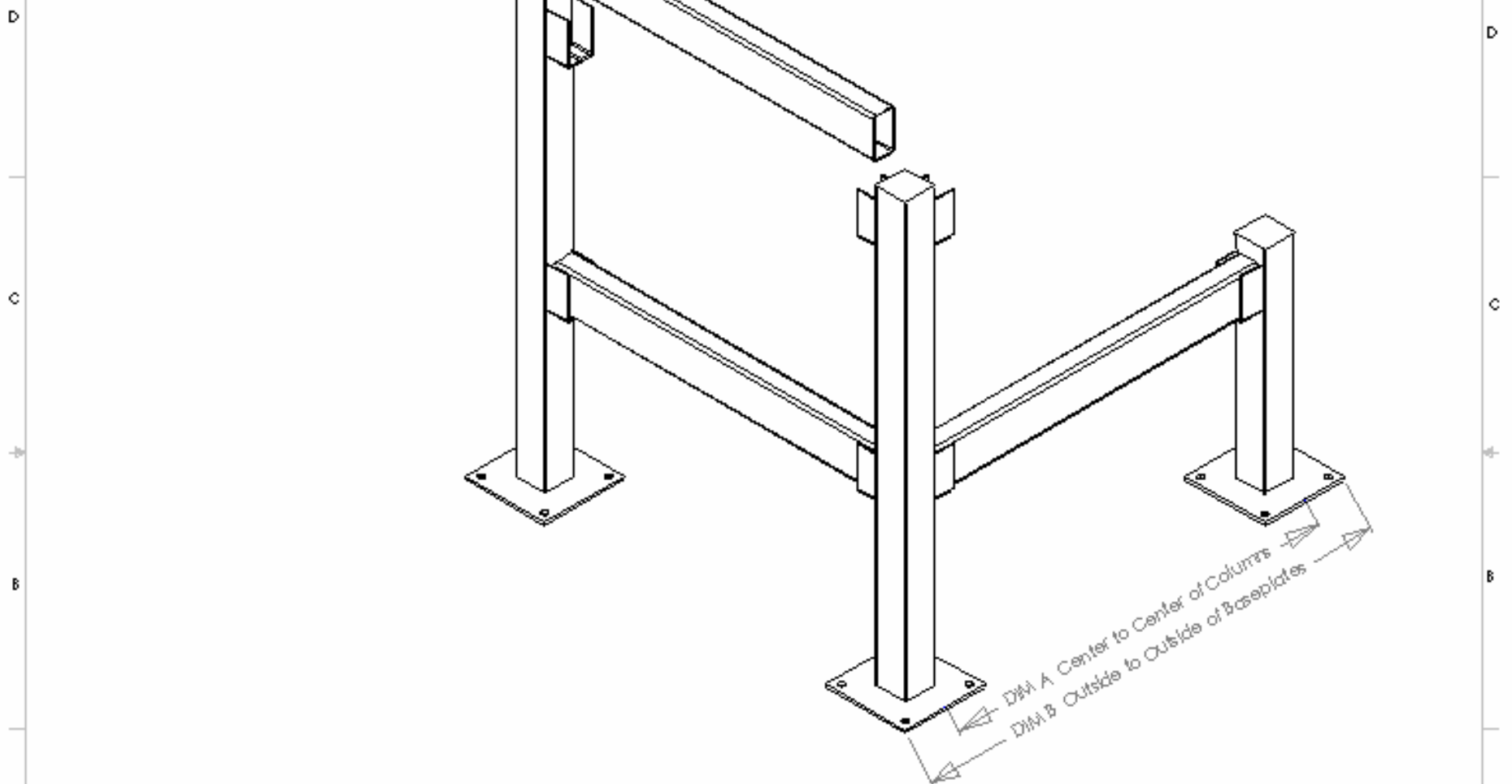


THE INFORMATION CONTAINED IN THIS DRAWING IS THE SOLE PROPERTY OF BLUFF MANUFACTURING. ANY REPRODUCTION IN PART OR WHOLE WITHOUT THE WRITTEN PERMISSION OF BLUFF MANUFACTURING IS PROHIBITED.

REVISIONS		
REV.	DESCRIPTION	DATE/APPROVED



**- COLUMNS ARE CAPPED**  
**- 9/16" MOUNTING HOLES**

UNLESS OTHERWISE SPECIFIED DIMENSIONS ARE IN INCHES TOLERANCES ARE: FRACTIONS DECIMALS ANGLES $\pm 1/16$ $\pm .001$ $\pm 1/2$ $\pm .0001$ $\pm .002$	CAD GENERATED DRAWING DO NOT MANUALLY UPDATE		<b>BLUFF MANUFACTURING, INC.</b> 9201 S. FREEWAY FORT WORTH, TX 76140 800-433-2212	
	MATERIAL: -- FINISH: -- DO NOT SCALE DRAWING	APPROVALS DRAWN BY: <b>KARTHIK</b> CHECKED: DESIGNED: MFG'G: QTR. ENG.	DATE:      	<b>MPBRAILS</b>  SIZE: A DWG. NO.: SCALE: CAD FILE SHEET OF 1