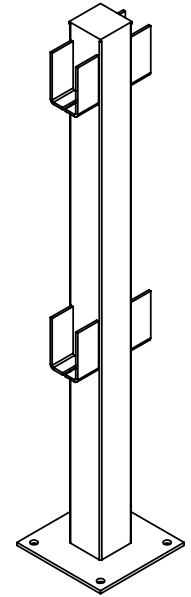
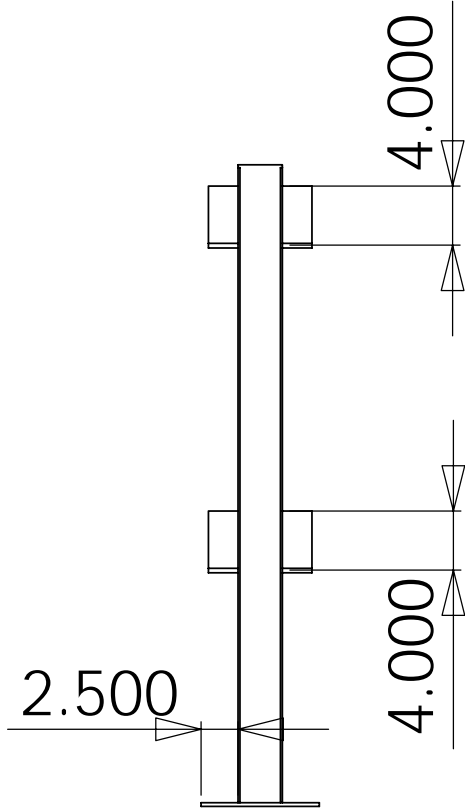
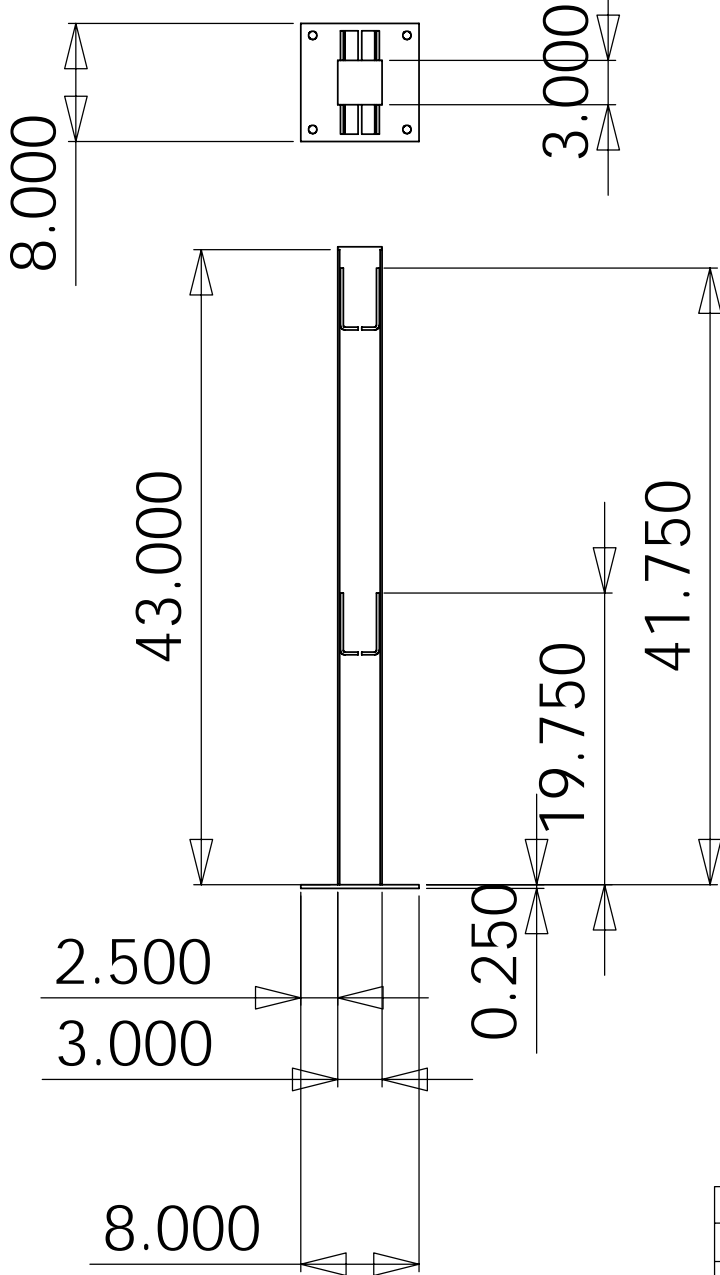


THE INFORMATION CONTAINED IN THIS DRAWING IS THE SOLE PROPERTY OF BLUFF MANUFACTURING ANY REPRODUCTION IN PART OR WHOLE WITHOUT THE WRITTEN PERMISSION OF BLUFF MANUFACTURING IS PROHIBITED.

REVISIONS		
REV.	DESCRIPTION	DATE/APPROVED

D
C
B
A

D
C
B
A



ITEM NO.	PART OR IDENTIFYING NO.	NOMENCLATURE OR DESCRIPTION	MATERIAL SPECIFICATION	QTY REQD
4	MPBPCAP	MODULAR PROTECTIVE BARRIER POST CAP	3/16" A36 SSP	1
3	MPBPSAD	MODULAR PROTECTIVE BARRIER POST SADDLE	3/16" A36 SSP	8
2	MPBPBASE	MODULAR PROTECTIVE BARRIER POST BASEPLATE	1/4" A36 SSP	1
1	MPBP COL 43"	MODULAR PROTECTIVE BARRIER POST COLUMN 43"	3"x3" 11GA A36	1

PARTS LIST				
UNLESS OTHERWISE SPECIFIED DIMENSIONS ARE IN INCHES		CAD GENERATED DRAWING, DO NOT MANUALLY UPDATE		
TOLERANCES ARE:		APPROVALS	DATE	
FRACTIONS	DECIMALS	ANGLES	DRAWN JMKEY 18JUNE01	
+ 1/16	.XX+	.25	CHECKED JMKEY 18JUNE01	
	.XXX+	.062	RESP ENG	
MATERIAL	--	FINISH	MFG ENG JMKEY 18JUNE01	
NEXT ASSY	USED ON	DO NOT SCALE DRAWING	QUAL ENG	
APPLICATION		<p>BLUFF MANUFACTURING, INC. 9201 S. FREEWAY FORT WORTH, TX 76140 800-433-2212</p> <p>MODULAR PROTECTIVE BARRIER 42" DOUBLE RAIL IN-LINE POST</p>		
SIZE A	DWG. NO.	REV.		SCALE
A	mpbp42d	1		CAD FILE:
SHEET 1 OF 1			SHEET 1 OF 1	

8 7 6 5 4 3 2 1