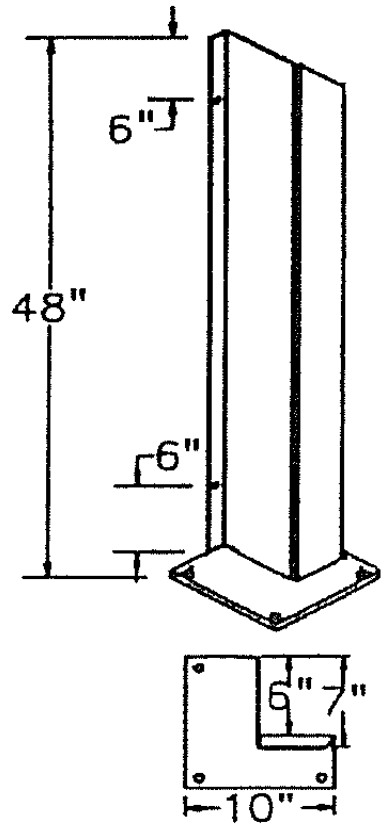


DOOR TRACK PROTECTOR

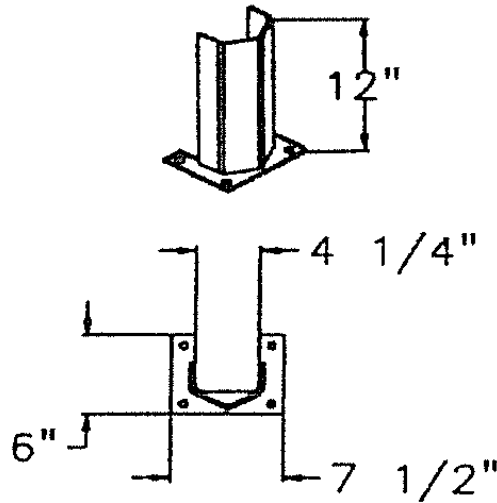


DG48L

5/8" Mount Holes

FASTENERS NOT PROVIDED

POST PROTECTOR



1/4PO12

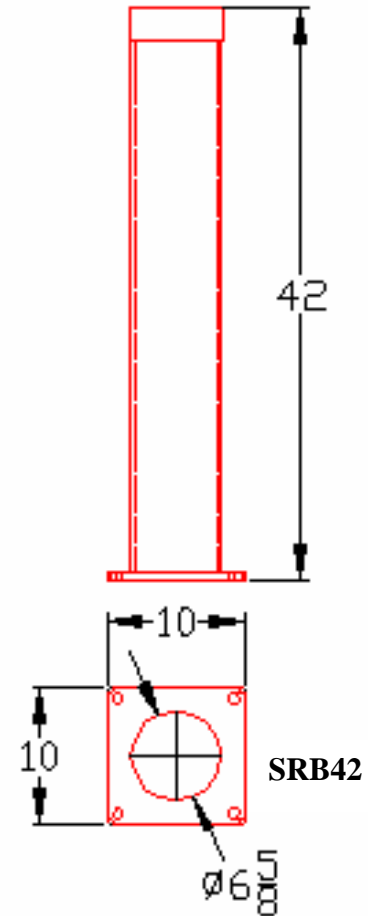
Standard Heights: 12", 18" and 24"

Available in 1/4", 3/8" or 1/2" Thickness

9/16" Mount Holes

FASTENERS NOT INCLUDED

BOLLARD



SRB42

Removable Plastic Cap

5/8" FASTENERS PROVIDED

**ALL PRODUCTS POWDER
COATED SAFETY YELLOW**

THE INFORMATION CONTAINED IN THIS DRAWING IS THE SOLE PROPERTY OF BLUFF MANUFACTURING. ANY REPRODUCTION IN PART OR WHOLE WITHOUT THE WRITTEN PERMISSION OF BLUFF MANUFACTURING IS PROHIBITED.

BLUFF MFG.

9201 S. FREEWAY
FORT WORTH, TX 76140

MODEL: PROTECTIVE BARRIERS	CUSTOMER:
PART NO:	REV. LEVEL:
MATERIAL:	DRAWN:
WEIGHT:	DATE: