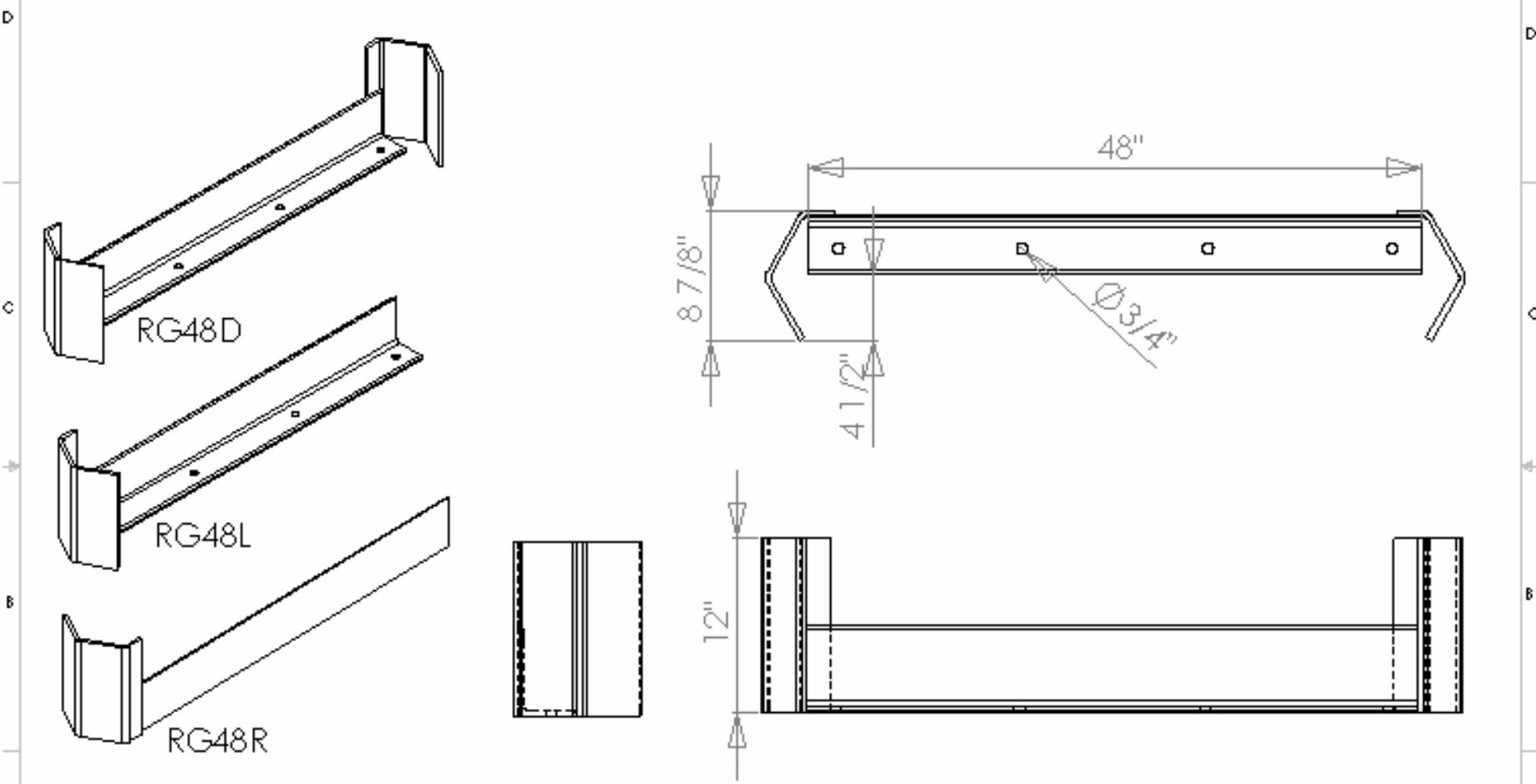


THE INFORMATION CONTAINED IN THIS DRAWING IS THE SOLE PROPERTY OF BLUFF MANUFACTURING. ANY REPRODUCTION IN PART OR WHOLE WITHOUT THE WRITTEN PERMISSION OF BLUFF MANUFACTURING IS PROHIBITED.

REVISIONS		
REV.	DESCRIPTION	DATE/APPROVED



**- PROTECTS PALLET RACK END POSTS**  
**- 3/4" MOUNTING HOLES**

UNLESS OTHERWISE SPECIFIED DIMENSIONS ARE IN INCHES TOLERANCES ARE: FRACTIONS DECIMALS ANGLES + 1/16 .001 .25 + 1/2 .0001 .002	CADD GENERATED DRAWING DO NOT MANUALLY UPDATE		<b>BLUFF MANUFACTURING, INC.</b> 9201 S. FREEWAY FORT WORTH, TX 76140 800-433-2212	
	APPROVALS DRAWN BY <b>KARTHIK</b> CHECKED	DATE		
	MATERIAL ---	REVISIONS	SCALE	CAD FILE
	FINISH ---	DATE	SHEET OF	REV.
DO NOT SCALE DRAWING	DATE	SHEET OF	REV.	