

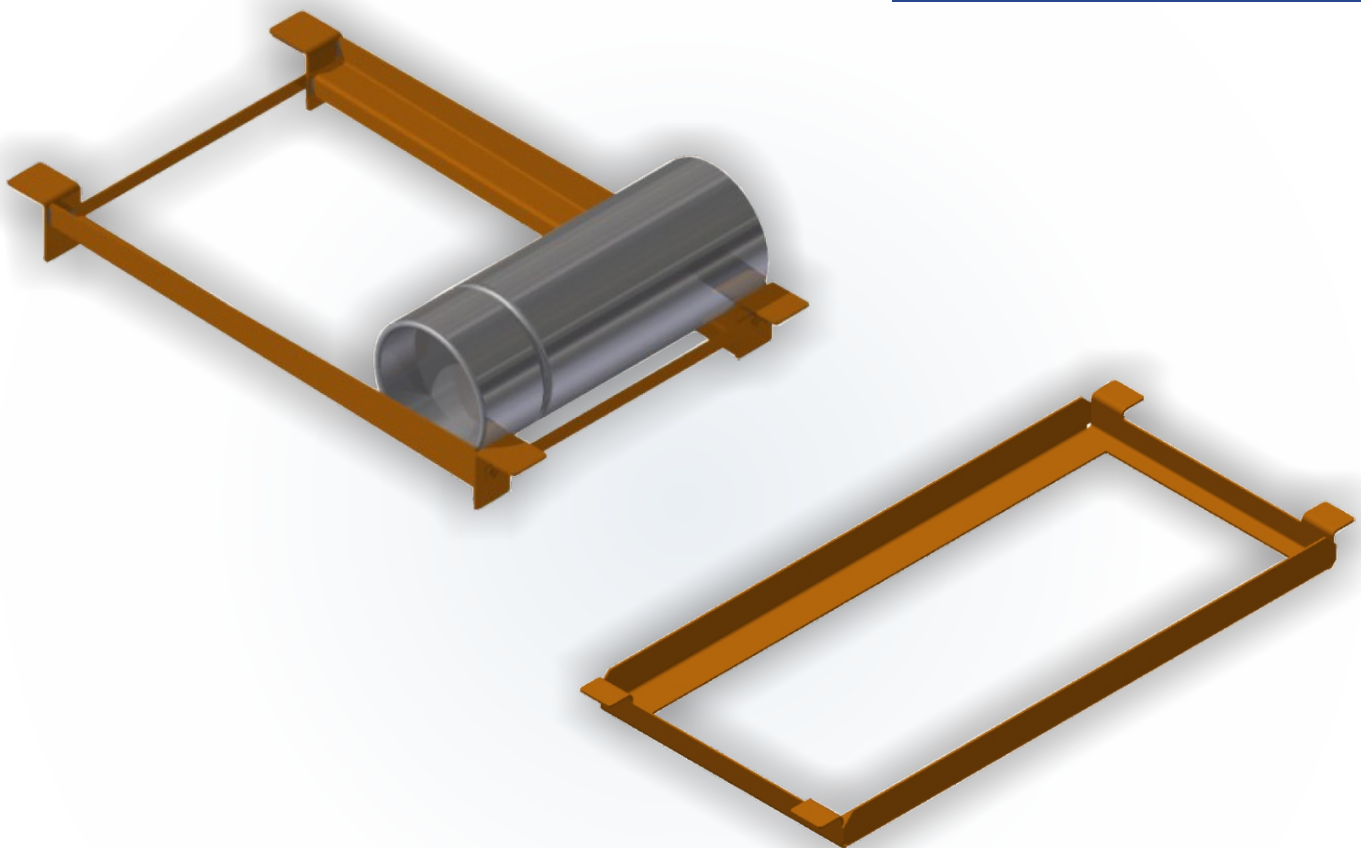
Keg Flow Rack Insert

Save space and allow for faster and easier handling of craft kegs

Product Overview

BLUFF
AN INTEGRATED WAREHOUSE SOLUTIONS BRAND

Storage & Handling



BLUFF
AN INTEGRATED WAREHOUSE SOLUTIONS BRAND

Innovative Products
Fast Lead Times

Features

- Designed for Sixer Kegs
- Fits pallet racking depths up to 120"
- Fully-Welded construction
- Requires pallet racking to be offset, higher in the back for gravity flow
- Safety orange powder coat finish
- No tools required for assembly
- Made in the USA
- Worksheet Required



Optional Features

- Custom sizes and Designs
- Custom Colors
- Variable Width
 - Fits kegs 21"-24" tall
 - Lighter weight and smaller dimensions for reduced shipping costs

