

# Post Protectors - Models PO, CP, CPBN

*Protect pallet rack uprights against damage from forklifts and pallet trucks*

## Product Overview

**BLUFF**  
AN INTEGRATED WAREHOUSE SOLUTIONS BRAND

*Safety Products*



Post Protectors- PO



Bolt-On Post Protector - CP



Bolt-On Post Protector with Bullnose - CPBN

**BLUFF**  
AN INTEGRATED WAREHOUSE SOLUTIONS BRAND

Innovative Products  
Fast Lead Times

# Features

## Post Protectors



- Standard heights: 12", 18", & 24"
- Steel thickness:  $\frac{1}{4}$ ",  $\frac{3}{8}$ ", and  $\frac{1}{2}$ "
- Standard models fit around rack posts & footplates up to 4" wide
- Anchors to the floor in 4 locations for additional column protection

## Bolt-On Post Protector



- Standard height options are 12", 24" and 42"
- $\frac{1}{4}$ " Steel thickness
- Bolts directly to the column for additional column protection
- Standard model fits 3" rack posts

## Bolt-On Post Protector with Bullnose

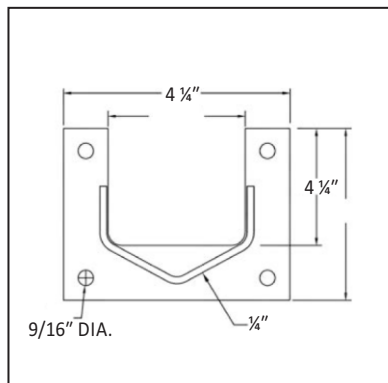


- Standard height options are 12", 24" and 42"
- $\frac{1}{4}$ " Steel thickness
- Bolts directly to the column and anchors to the floor for additional column protection
- Standard model fits 3" rack posts

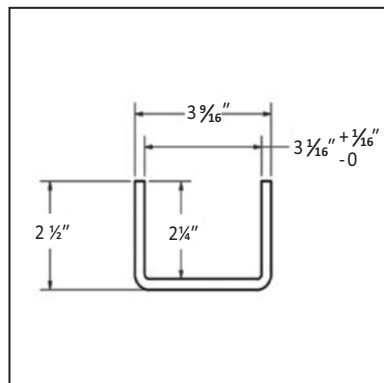
- Made in the U.S.A.
- Easily installed (fasteners not included)
- Safety yellow powder coat finish is standard
- Optional anchor kit available for purchase
- Custom sizes and designs available



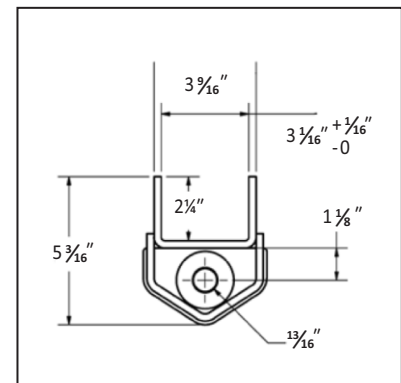
### Post Protectors- PO



### Bolt-On Post Protector - CP



### Bolt-On Post Protector with Bullnose - CPBN



Standard Models Shown. Custom sizes available.