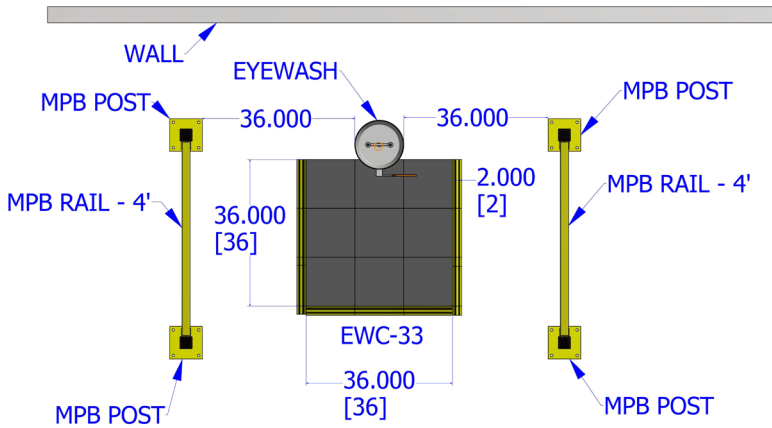


# EYE WASH SAFETY KIT

## Wall Placement Suggested Layout



## Your Desired Layout

- A. \_\_\_\_\_ I prefer layout circled to the left (wall placement or freestanding).
- B. \_\_\_\_\_ I prefer my layout below (in the box). Posts will be 42" high (special orders available).
- Wall Kit totals 8 linear feet.
  - Free Standing Kit totals 17 linear feet.

## Free standing Suggested Layout

