

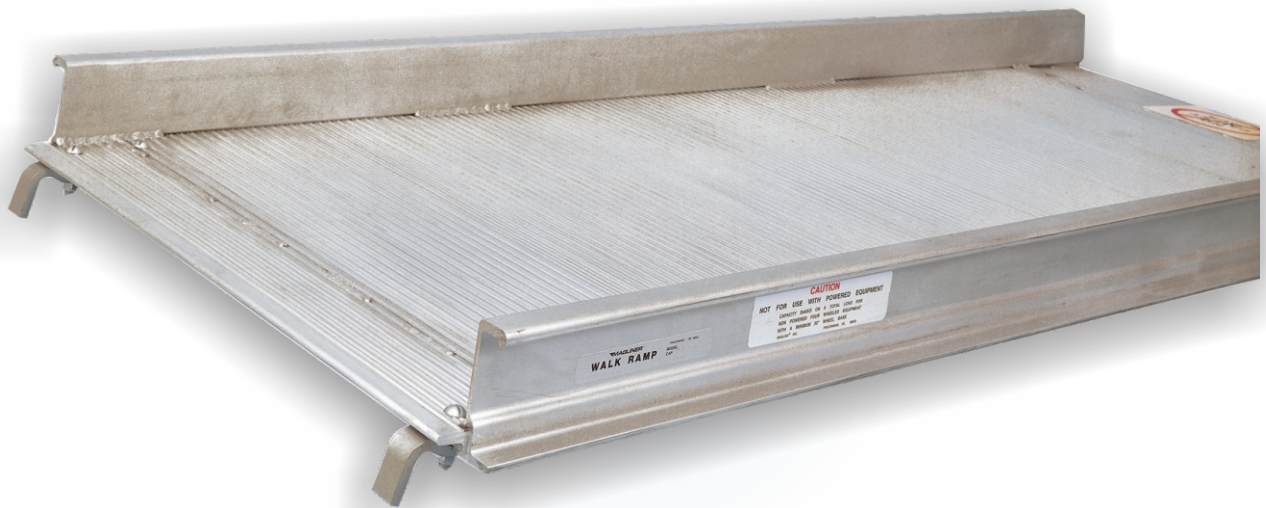
# Aluminum Walk Ramps - Hook Style

*Lightweight aluminum construction and  
hook style design for use with trucks*

Product Overview

**BLUFF**  
MANUFACTURING

Yard Ramps



Innovative Products  
Fast Lead Times

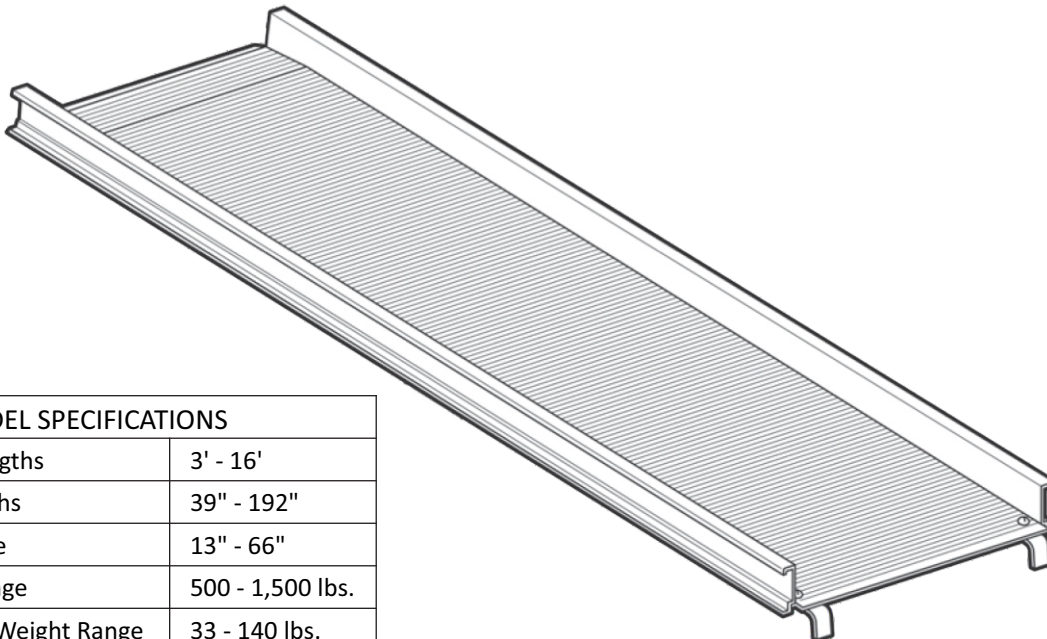
## Features

- Nominal Lengths: 3' – 16'
- Actual Length: 39" – 192"
- Height Range: 13" – 66"
- Capacity Range: 500 – 3,000 lbs.
- 2900 Series Weight Range: 33 – 140 lbs.
- 3900 Series Weight Range: 41 – 172 lbs.
- Heavy-Duty Safety Hooks: 2
- Twin-tooth deck for better traction when traveling in either direction
- Strong, lightweight aluminum construction makes ramps easily portable and convenient
- All hook models complete with two heavy-duty safety hooks
- Brand: Magliner

*Note: Walk Ramps are not made for powered equipment or pallet jack use. Walk Ramps are intended for foot traffic use only.*



Heavy-duty safety hooks



HOOK MODEL SPECIFICATIONS	
Nominal Lengths	3' - 16'
Actual Lengths	39" - 192"
Height Range	13" - 66"
Capacity Range	500 - 1,500 lbs.
2900 Series Weight Range	33 - 140 lbs.
3900 Series Weight Range	41 - 172 lbs.
Heavy-Duty Safety Hooks	2