



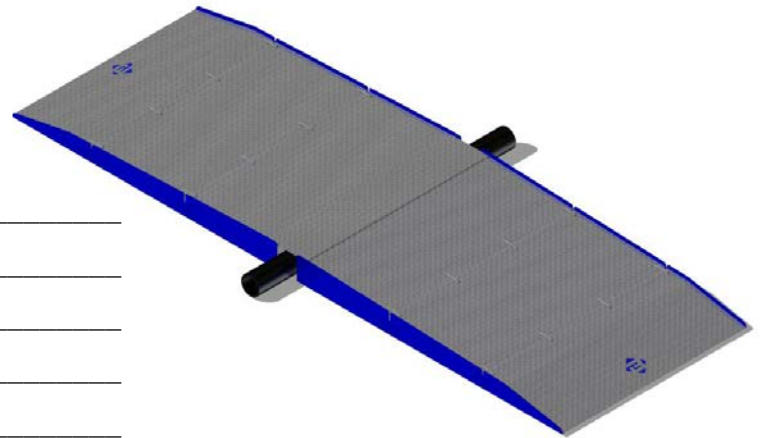
Date: _____ Phone: _____

Company: _____

Name: _____

Email: _____

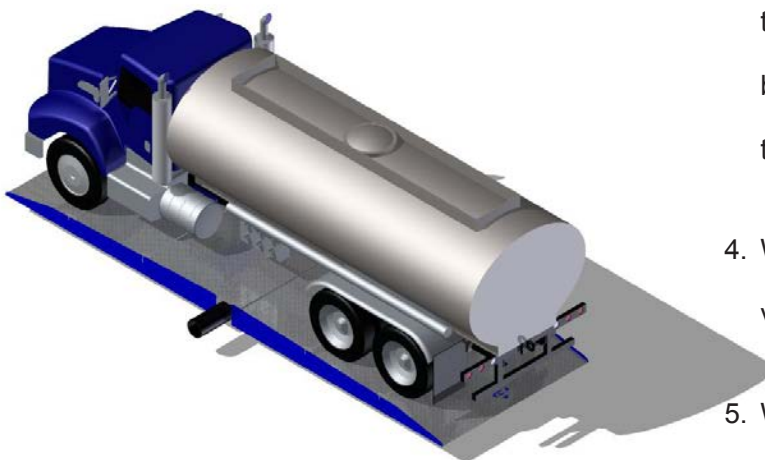
Fracking Ramp Model COR Worksheet and Questionnaire



1. Briefly describe application and site.

2. What type of vehicles are traveling over the ramp? Cars? Trucks? Box Vans? Semi-trailers? Sand Trucks?

Fracturing Trucks? Other? _____



3. a. What is the highest capacity of a vehicle traveling over the ramp? _____

b. What is the weight of the heaviest vehicle traveling over the ramp?

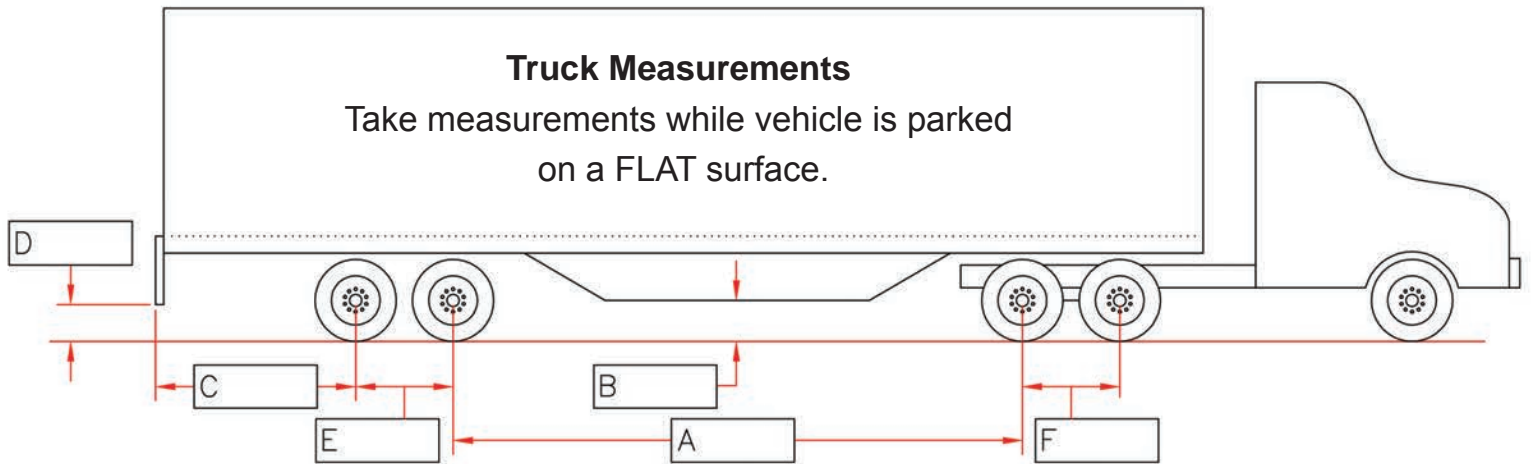
4. What is the maximum axle load of the highest capacity vehicle traveling over the ramp? _____

5. What is the useable width required? _____

6. What is the maximum outer diameter of pipes, hoses, or cables that will pass through Fracking Ramp tunnel?

Fracking Ramp Model COR WORKSHEET - Continued

In order to provide you with the safest, most effective, and longest-lasting Fracking Ramp, our engineers need all of the measurements below. Please provide the requested dimensions for each type of vehicle used at the fracturing site to help us build a Fracking Ramp specific to your needs. Use copies of this page for each vehicle.



Dimension A: axle to axle span

DIM. A: _____ inches

Dimension B: under-clearance (usually measured at center of span)

DIM. B: _____ inches

Dimension C: rear bumper to rear axle

DIM. C: _____ inches

Dimension D: under-clearance of rear bumper

DIM. D: _____ inches

Dimension: axle to axle – rear

DIM. E: _____ inches

Dimension F: axle to axle – front

DIM. F: _____ inches